

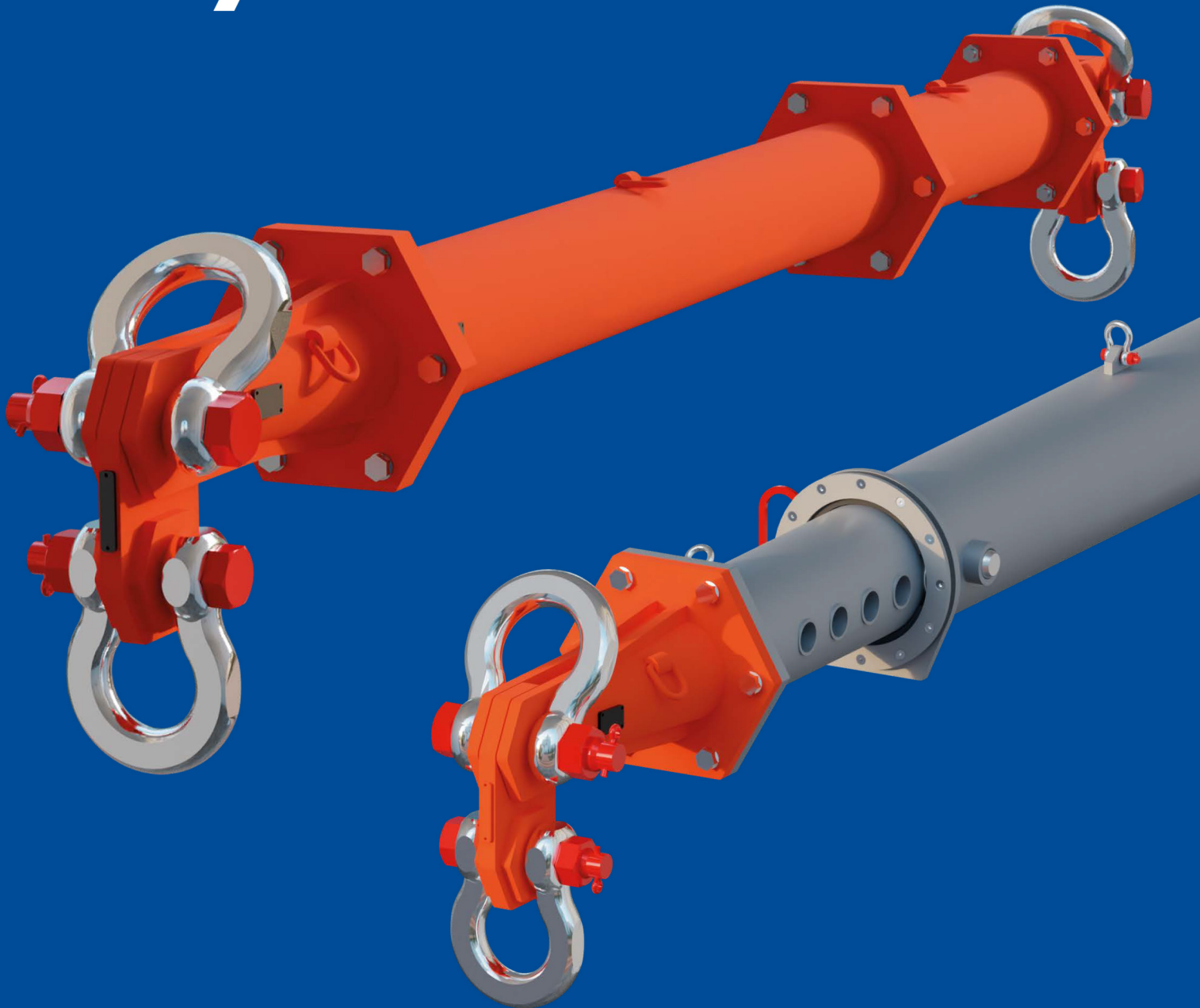


LIFTING SOLUTIONS

BEDSAB

OX SPREADER BEAMS

CAPACITY
9t – 1350t



**YOUR TRUSTED
PARTNER FOR
HEAVY LIFTING
SOLUTIONS**



OX SPREADER BEAMS **INDEX**

page 04

OX SPREADER BEAMS

page 06

OX SPREADER ACCESSORIES

page 07

OX SPREADER SPECIFICATIONS

page 08

OX TELESCOPIC SPREADER BEAMS

page 10

WORKING ANGLES

page 11

CAPACITY TABLES

page 16

OX&RUD DEMO BOX

page 17

OX SPREADER BEAMS LOAD TABLE 30° ANGLE

page 18

OX SPREADER BEAMS PORTFOLIO

page 20

OX SPREADER BEAMS COMPONENTS TABLES

page 28

OX SPREADER BEAMS POSSIBLE APPLICATIONS

page 30

CORNER UNITY

page 31

CORNER UNITY CAPACITY TABLES

page 39

CONE ADAPTERS

Do you need more information?

Do you need more information? Looking for an official dealer or reseller? More load tables? More images or pictures?

Check out these websites

OX SPREADER BEAMS

THE GREATEST CAPACITY IN THE MARKET*

¿Do you need mobility and versatility in your movement of huge loads?

With OX spreader beams you have a complete modular range, that allows to assembly on the spot one or multiple spreader beams of 1 to 36 m. long and with 9 to 1350 tons capacity.

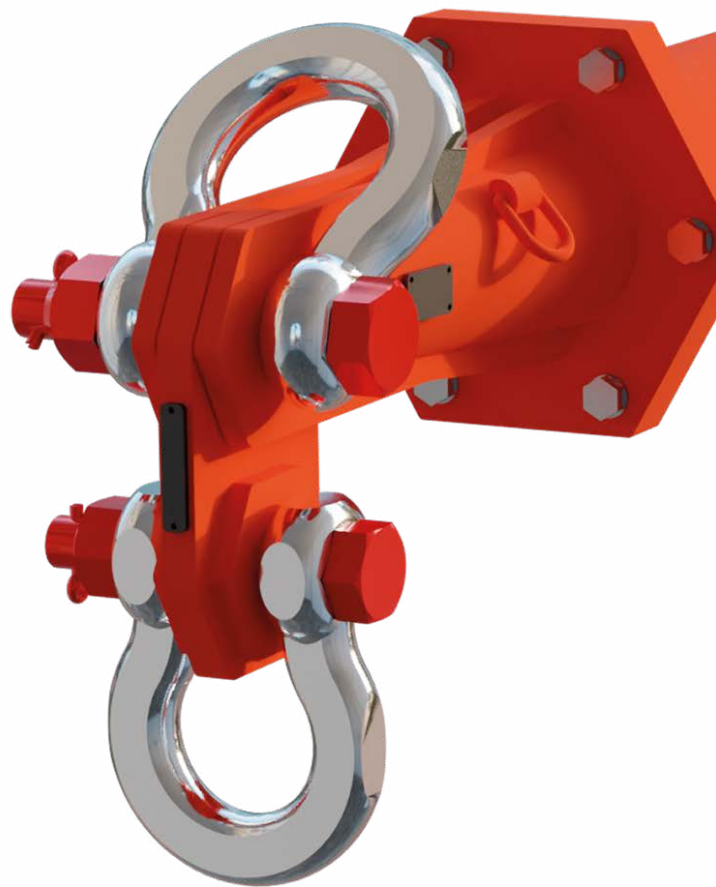
- Available in stock up to 600 tons for sale.
- The Spreader beam is designed and manufactured in accordance with current norms.
- Reduced size and weight, that eases and reduces transportation, storage and installation costs.
- Easy and fast assembly, following the steps on the instructions manual.
- Economic product, replaces a whole range of spreader and beams.
- It is a modular system, you just have to add or remove sections in order to have a new spreader beam adjusted to your needs for any lifting work.
- For a lifting of multiple anchorage points you can combine spreader beams vertically or form a rectangle with the corners.
- All series can be delivered with shackles.
- Series with huge loads use wide body shackles to avoid any damage on the slings.

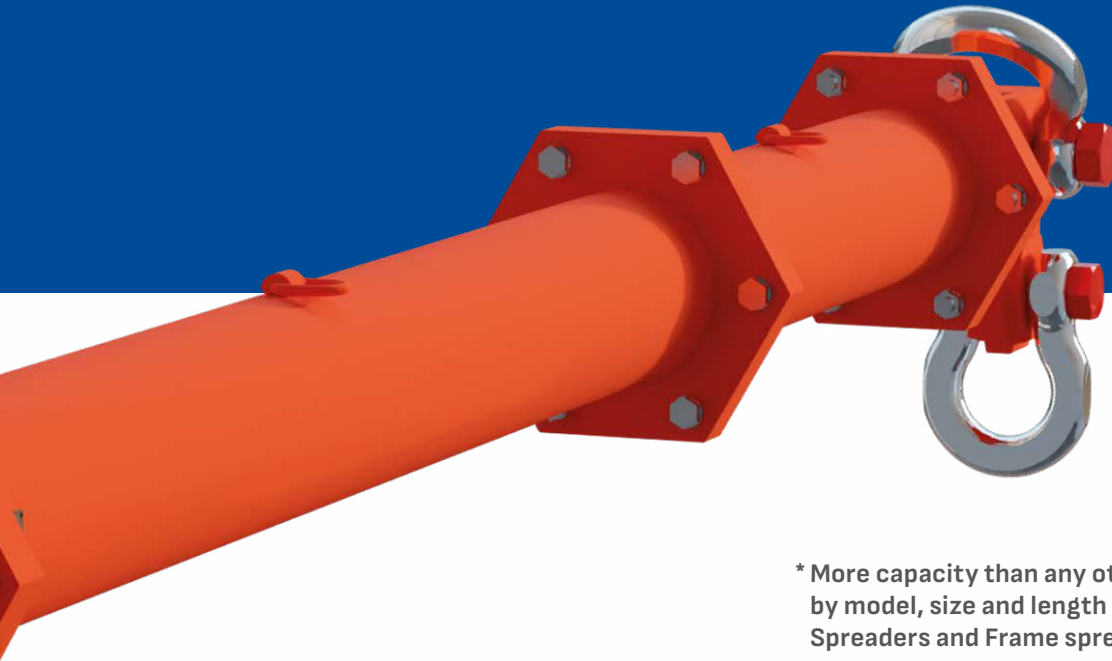
MATERIAL

Hight and very hight yield structural steel depending on the model.

FINISH

The basic finishing of our products consists of Sa 2.5 sandblasting according to ISO 8501-1 standards and painted in Orange RAL 2004, glossy finish with C2 corrosion category according to ISO 12944 Standard. Upon request it can be painted in other colors and other categories such as up to C5M.





*** More capacity than any other manufacturer by model, size and length of our Standard Spreaders and Frame spreaders.**

IN ACCORDANCE WITH

We comply with the provisions in the directives of the European Parliament and from the Council 2006/42/CE, on 17th May 2006, regarding the approach of several legislations of the member states on machinery and 2014/30/UE, on 26th February 2014, and it has been manufactured in accordance with the following norms:

- **EN ISO 12100: 2012.** Safety of machinery – General principles for design – Risk assessment and risk reduction.
- **EN 13155:2020.** Cranes. Security, static equipment for lifting loads.
- **EN ISO 3834-2:2022.** Quality requirements for fusion welding of metallic materials.

We have obtained **DNV-GL quality certification, for our Spreader Beams** from 9 tons to 1350 tons of load, a requirement that proves that we work with the highest quality standards.

- **Certificates DNV**
 - **DNV GL standard DNVGL-ST-0378**
Standard for offshore and platform lifting appliances
 - **DNV GL standard DNVGL-ST-0377**
Standard for shipboard lifting.

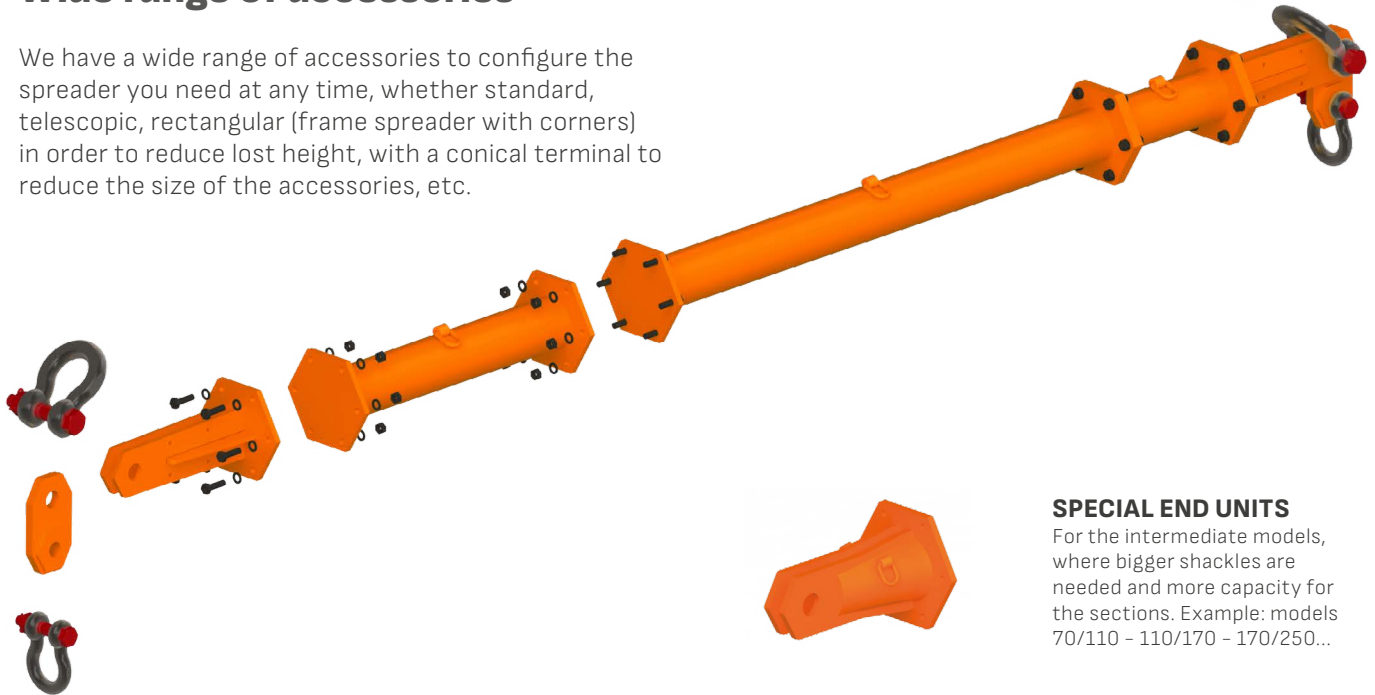


MULTIPLE ACCESSORIES

MULTIPLE CONFIGURATIONS

Wide range of accessories

We have a wide range of accessories to configure the spreader you need at any time, whether standard, telescopic, rectangular (frame spreader with corners) in order to reduce lost height, with a conical terminal to reduce the size of the accessories, etc.



SPECIAL END UNITS

For the intermediate models, where bigger shackles are needed and more capacity for the sections. Example: models 70/110 - 110/170 - 170/250...

END UNIT

Connects the spreader sections to the Drop Links and shackles. For the standard spreaders certified by DNV.

SECTION or "STRUT"

Diferent lengths of sections are needed for a Spreader to be modular and versatile. 6 or 7 units depending on the spreader size can be placed in a complete spreader.

"DROP LINK" (DL) or "Descendant Unit"

Connects the Top Shackles and the Bottom Shackles. It's a free movement piece, allowing the bottom slings to have an angle without modifying the capacity of the spreader)

CONE ADAPTORS

The length of the spreader is too long and the WLL needed is lower? adding this reducer for the end units allows you to spend way less in expensive shackles when not needed.

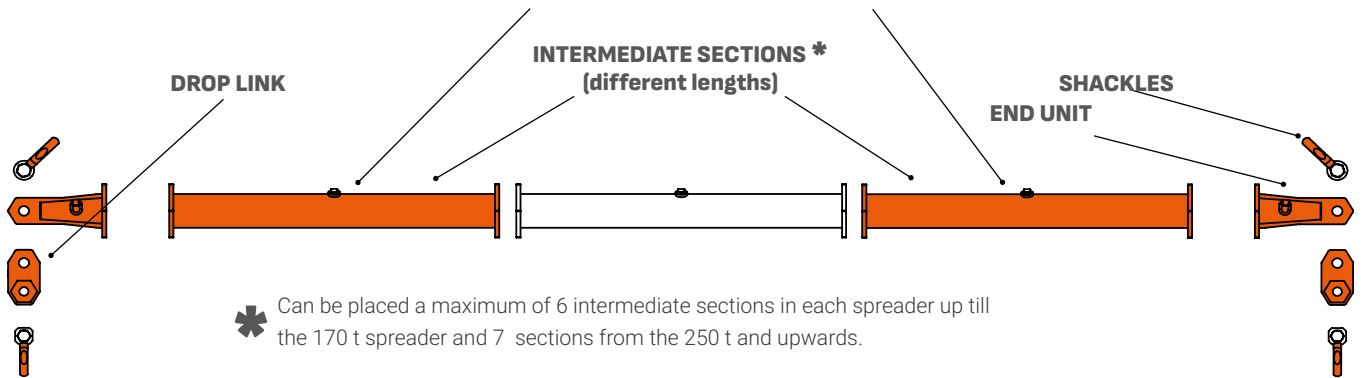
TELESCOPIC SECTION (or TEL. STRUT)

You can place, instead of a normal Strut, a Telescopic Strut, and now your Spreader becomes a "quick change of length" spreader. Changing the length of a spreader in less than 2 minutes? now it's possible.

CORNERS

With this special end units you can mount a frame spreader, losing less total loss height than the spreaders in cascade.

Lifting point (only for handling, never for loading)



SHACKLES



MODEL	TOP	BOTTOM
SB-09	6,5 Bow Standard	4,75 Bow Standard
SB-17	12 Bow Standard	8,5 Bow Standard
SB-24	17 Bow Standard	12 Bow Standard
SB-34	25 Bow Standard	17 Bow Standard
SB-50	35 Bow Standard	25 Bow Standard
SB-70	55 Bow Standard	35 Bow Standard
SB-110	85 Bow Standard	55 Bow Standard
SB-110/170	120 Bow Standard	85 Bow Standard
SB-170	120 Bow Standard	85 Bow Standard
SB-170/250	200 Wide body	125 Wide body
SB-250	200 Wide body	125 Wide body
SB-250/400	300 Wide body	200 Wide body
SB-400	300 Wide body	200 Wide body
SB-400/600	400 Wide body	300 Wide body
SB-600	400 Wide body	300 Wide body
SB-600/800	500 Wide body	400 Wide body
SB-800	500 Wide body	400 Wide body
SB-1350	800 Wide body	700 Wide body



**Bow Standard
Shackle**



**Wide Body
Shackle**

OX TELESCOPIC SPREADER BEAMS

QUICKNESS AND VERSATILITY

¿Do you need mobility, quickness and versatility in your movement of loads?

The OX-SBT telescopic spreader beam, unique, due to its characteristics, in the european market!

With the new OX-SBT Telescopic Spreader Beams, you will reduce the time spent to a minimum by adjusting the useful length of your standard OX spreader. Available from size SB-09 to SB-110.

The telescopic sections can be used in combination with our standard sections and end terminals, maintaining the same load capacity and working lengths.

To modify the length with a normal spreader beam you need approximately 30 to 60 minutes, with our new SBT you will only need 2 minutes...

Add the telescopic strut to your actual spreader and done!

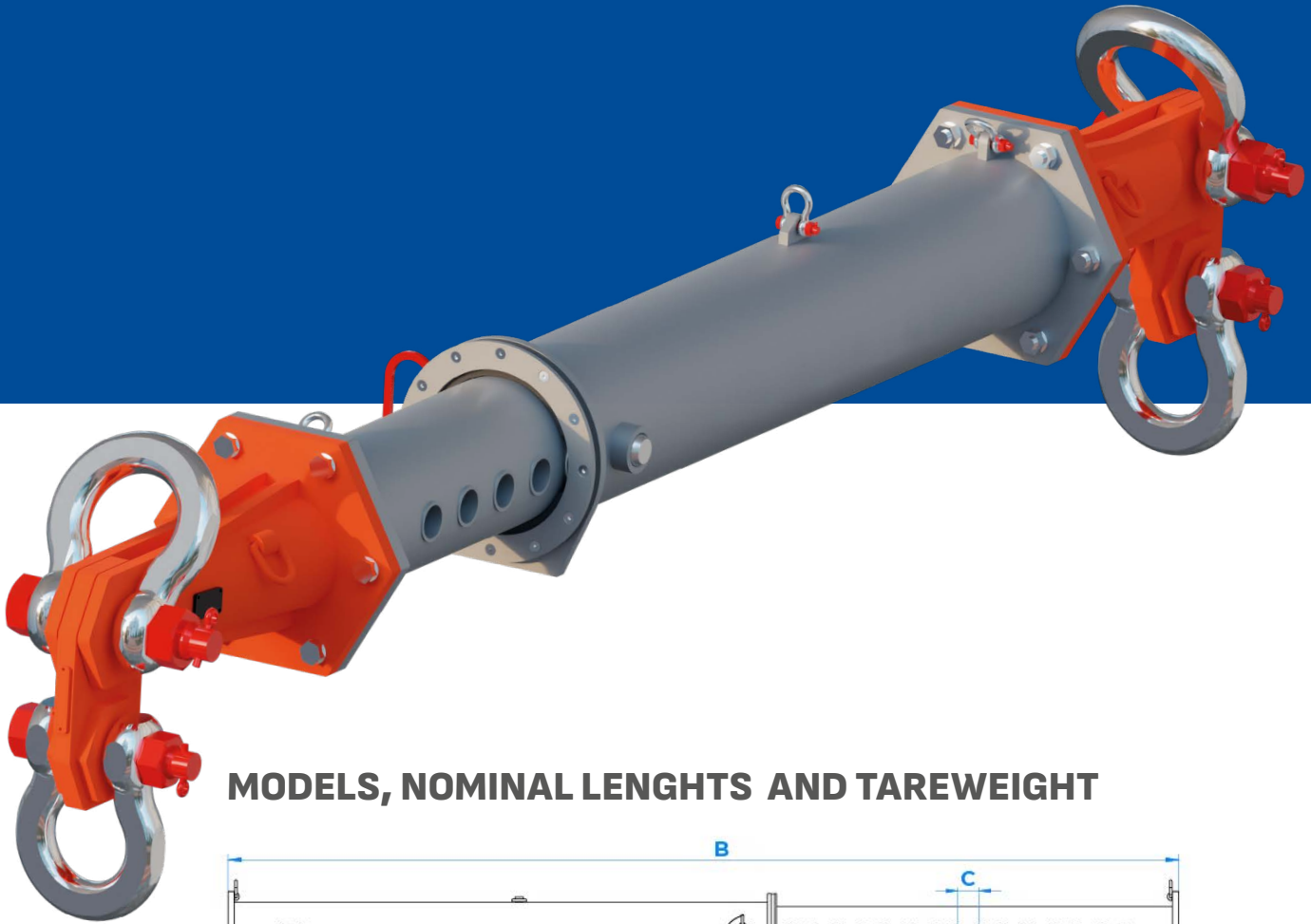
We can custom manufacture any length less than 4 meters, at the request of the client.

IN ACCORDANCE WITH

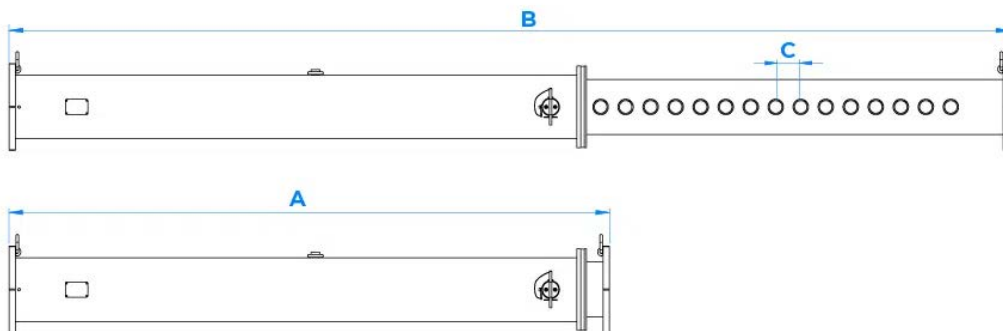
We comply with the provisions in the directives of the European Parliament and from the Council 2006/42/CE, on 17th May 2006, regarding the approach of several legislations of the member states on machinery and 2014/30/UE, on 26th February 2014, and it has been manufactured in accordance with the following norms:

- **EN ISO 12100: 2012.** Safety of machinery – General principles for design – Risk assessment and risk reduction.
- **EN 13155:2020.** Cranes. Security, static equipment for lifting loads.
- **EN ISO 3834-2:2022.** Quality requirements for fusion welding of metallic materials.





MODELS, NOMINAL LENGTHS AND TAREWEIGHT



TELESCOPIC BEAM 1.500mm to 2.500mm (1.000mm of extension each 100mm)

CODE	MODEL	A (mm)	B (mm)	C (mm)	Weight (kg)
80220009R1525	OX SBT 009 1525	1500	2500	100	40,5
80220017R1525	OX SBT 017 1525	1500	2500	100	58
80220024R1525	OX SBT 024 1525	1500	2500	100	85
80220034R1525	OX SBT 034 1525	1500	2500	100	116
80220050R1525	OX SBT 050 1525	1500	2500	100	185
80220070R1525	OX SBT 070 1525	1500	2500	100	256
80220110R1525	OX SBT 110 1525	1500	2500	200	381

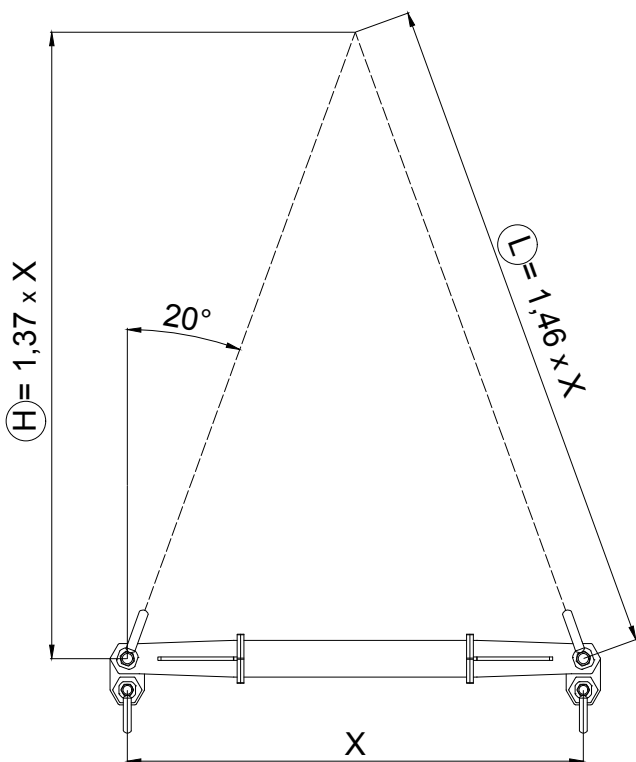
TELESCOPIC BEAM 2.400mm to 4.000mm (1.600mm of extension each 100mm)

CODE	MODEL	A (mm)	B (mm)	C (mm)	Weight (kg)
80220024R2440	OX SBT 024 2440	2400	4000	100	122
80220034R2440	OX SBT 034 2440	2400	4000	100	167
80220050R2440	OX SBT 050 2440	2400	4000	100	266
80220070R2440	OX SBT 070 2440	2400	4000	100	367
80220110R2440	OX SBT 110 2440	2400	4000	200	551

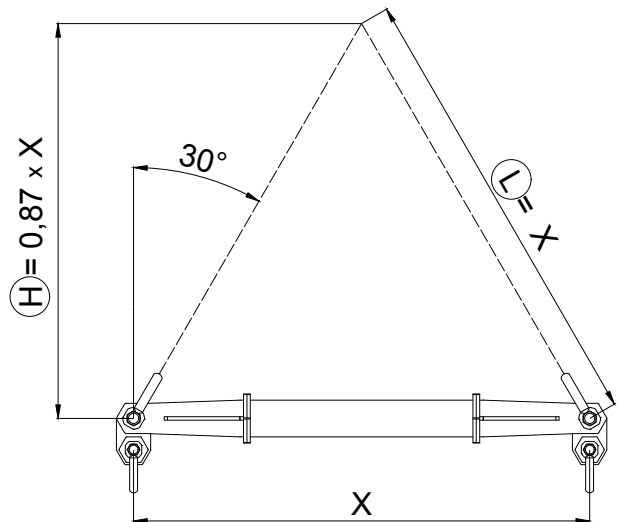
OX SPREADER BEAMS
WORKING ANGLES

GENERAL DIMENSIONS VS WORKING ANGLES (20°, 30° y 45°)

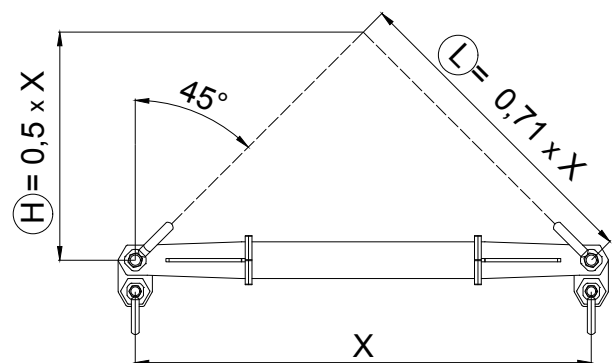
Dimensions at 20°



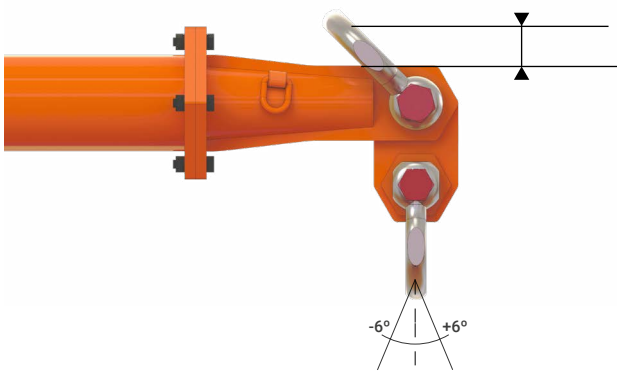
Dimensions at 30°



Dimensions at 45°



BE CAREFUL!!!



SEPARATION

Slings or hooks should never contact the spreader beam.

Bottom Angle

Slings angles in the bottom: never more than 6° .

OX-SB-09



SPAN (m)	0,5	1	2	3	4	5
45° WLL (t)	9	9	9	7,6	4,6	3
30° WLL (t)	9	9	9	9	7,6	5,2
20° WLL (t)	9	9	9	9	9	8

OX-SB-17



SPAN (m)	0,5-4	5	6	7	8	9	10
45° WLL (t)	17	11	7	5	3,8	2,8	2,4
30° WLL (t)	17	17	12	8	6	4,7	4,2
20° WLL (t)	17	17	17	13	10	7,5	6,6

OX-SB-24



SPAN (m)	0,5-4	5	6	7	8	9	10	11	12
45° WLL (t)	24	18	13	9	7	5,5	4,5	3,5	3
30° WLL (t)	24	24	24	15,5	12	9,5	7,5	6	5
20° WLL (t)	24	24	24	24	18	15	12	9	8

OX-SB-34



SPAN (m)	1-5	6	7	8	9	10	11	12	13	14
45° WLL (t)	34	26	20	13	10	8	6,5	5,4	4,5	3,8
30° WLL (t)	34	34	33	22	17	14	11	9	7,5	6,5
20° WLL (t)	34	34	34	34	27	22	17,5	14,5	12	10

OX SPREADER BEAMS
CAPACITY
 TABLES

OX-SB-50



SPAN (m)	1-7	8	9	10	11	12	13	14	15	16
45° WLL (t)	50	41	33	27	22	17	13	10	9	8
30° WLL (t)	50	50	50	46	38	29	22	17	15	14
20° WLL (t)	50	50	50	50	50	46	35	27	25	22

OX-SB-70



SPAN (m)	1-9	10	11	12	13	14	15	16	17	18	19	20
45° WLL (t)	70	64	54	45	38	33	28	24	21	17	14	12
30° WLL (t)	70	70	70	70	65	57	48	41	36	29	24	21
20° WLL (t)	70	70	70	70	70	70	70	65	57	47	38	33

OX-SB-70/110



SPAN (m)	1-6	7	8	9	10	11	12	13	14	15	16	17	18	19	20
45° WLL (t)	110	98	84	70	64	54	45	38	33	28	24	21	17	14	12
30° WLL (t)	110	110	110	110	110	93	76	65	57	48	41	36	29	24	21
20° WLL (t)	110	110	110	110	110	110	110	103	90	75	65	57	47	38	33

OX-SB-110



SPAN (m)	2-10	11	12	13	14	15	16	17	18	19	20	21	22
45° WLL (t)	110	105	91	78	67	58	51	44	39	34	30	26	23
30° WLL (t)	110	110	110	110	110	100	88	76	67	58	51	45	40
20° WLL (t)	110	110	110	110	110	110	110	110	105	92	82	70	63

OX-SB-110/170



SPAN (m)	2-7	8	9	10	11	12	13	14	15	16	17	18	19	20	21	22
45° WLL (t)	170	160	140	110	105	91	78	67	58	51	44	39	34	30	26	23
30° WLL (t)	170	170	170	170	170	155	135	110	100	88	76	67	58	51	45	40
20° WLL (t)	170	170	170	170	170	170	170	170	155	140	110	105	92	82	70	63

OX-SB-170



SPAN (m)	2-11	12	13	14	15	16	17	18	19	20	21	22	23	24
45° WLL (t)	170	162	144	128	112	100	88	78	70	62	55	49	44	40
30° WLL (t)	170	170	170	170	170	170	152	134	120	107	95	84	75	68
20° WLL (t)	170	170	170	170	170	170	170	170	170	170	150	140	120	108

OX-SB-170/250



SPAN (m)	2-8	9	10	11	12	13	14	15	16	17	18	19	20	21	22	23	24
45° WLL (t)	250	230	200	170	162	144	128	112	100	88	78	70	62	55	49	44	40
30° WLL (t)	250	250	250	250	250	240	220	190	170	152	134	120	107	95	84	75	68
20° WLL (t)	250	250	250	250	250	250	250	250	250	240	210	190	170	150	140	120	108

OX-SB-250



SPAN (m)	2-15	16	17	18	19	20	21	22	23	24	25	26
45° WLL (t)	250	225	203	182	165	148	135	122	110	100	90	82
30° WLL (t)	250	250	250	250	250	250	230	210	190	172	155	140
20° WLL (t)	250	250	250	250	250	250	250	250	250	250	245	225

OX SPREADER BEAMS
CAPACITY
 TABLES

OX-SB-250/400



SPAN (m)	2-9	10	11	12	13	14	15	16	17	18	19	20	21	22	23	24	25	26
45° WLL (t)	400	390	365	335	305	275	250	225	203	182	165	148	135	122	110	100	90	82
30° WLL (t)	400	400	400	400	400	400	400	385	350	310	280	250	230	210	190	172	155	140
20° WLL (t)	400	400	400	400	400	400	400	400	400	400	400	400	365	330	300	270	245	225

OX-SB-400



SPAN (m)	2-18	19	20	21	22	23	24	25	26	27	28	29	30
45° WLL (t)	400	360	325	292	262	235	218	196	182	165	150	138	128
30° WLL (t)	400	400	400	400	400	400	376	338	314	285	258	238	220
20° WLL (t)	400	400	400	400	400	400	400	400	400	400	400	378	350

OX-SB-400/600



SPAN (m)	2-14	15	16	17	18	19	20	21	22	23	24	25	26	27	28	29	30
45° WLL (t)	560	550	525	460	400	360	325	292	262	235	218	196	182	165	150	138	128
30° WLL (t)	600	600	600	600	600	600	560	500	450	400	376	338	314	285	258	238	220
20° WLL (t)	600	600	600	600	600	600	600	600	600	600	590	530	500	450	400	378	350

OX-SB-600



SPAN (m)	3-17	18	19	20	21	22	23	24	25	26	27	28	29	30	31	32
45° WLL (t)	560	530	487	432	385	345	310	280	252	230	214	195	180	165	152	140
30° WLL (t)	600	600	600	600	600	590	535	484	436	398	370	337	310	285	262	240
20° WLL (t)	600	600	600	600	600	600	600	600	600	600	585	535	490	452	415	380

OX-SB-800



SPAN (m)	3-19	20	21	22	23	24	25	26	27	28	29	30	31	32	33	34
45° WLL (t)	700	670	620	578	530	480	430	380	345	310	280	255	235	215	200	190
30° WLL (t)	800	800	800	800	800	800	744	655	596	535	482	440	405	370	345	328
20° WLL (t)	800	800	800	800	800	800	800	800	800	800	765	700	645	590	545	520

OX-SB-1350



SPAN (m)	3-18	19	20	21	22	23	24	25	26	27	28	29	30	31	32	33	34	35	36
45° WLL (t)	1120	1050	1000	940	870	820	760	710	660	610	570	530	485	440	395	360	320	300	270
30° WLL (t)	1350	1350	1350	1350	1350	1350	1310	1220	1140	1050	985	915	835	760	680	620	550	510	465
20° WLL (t)	1350	1350	1350	1350	1350	1350	1350	1350	1350	1350	1350	1350	1320	1205	1080	980	870	820	740

All of our Standard Spreaders, from the 9-ton model to the 1350-ton model, have DNV type approval according to the DNV Standard for Certification DNVGL-ST-0378 and DNVGL-ST-0377.

Upon the client's request, a load test can be performed, and a test report and certificate can be issued by a third party and by DNV, as well as an additional CG3 certificate.

Telescopic models, corners, or cone adapters are not included in this certification (for the time being).

However, all of them comply with the EN 13155 Cranes - Safety - Non-fixed load lifting attachments standard.



OX&RUD DEMO BOX

We have a sample collection of products, 3D printed in PLA at a 1:5 scale, in a suitable container for transport and shipping, consisting of:

- 1 Standard Separator SB-50
- 1 Telescopic Separator SBT-50
- 1 Corner Unit CU-50
- 1 Multipoint Balancer 24t
- 1 Eco-beam 10t with all its accessories

Coming soon

New standard equipment in development.



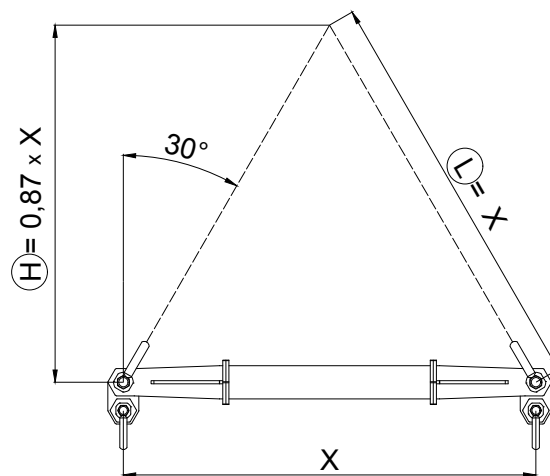
What model of spreader do I need for a specific load and length?

Using this table, you can quickly determine the appropriate spreader size for sling angles up to 30°.

The **darker colors** indicate the maximum load capacity of the spreader in meters, while the **lighter colors** show the decreasing capacity based on the total length.

You can find more tables in our website in the section: OX spreader beams.

There you'll find the quick table to find your needed spreader with top sling angles of 20° and 45° too.



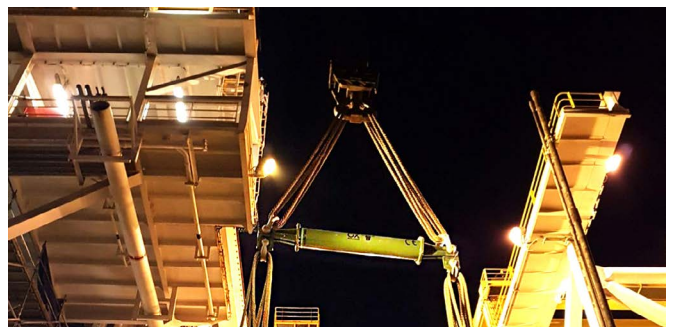
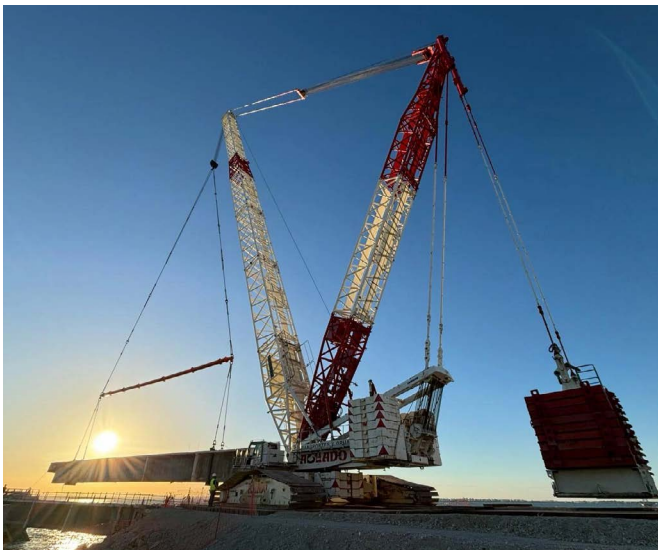
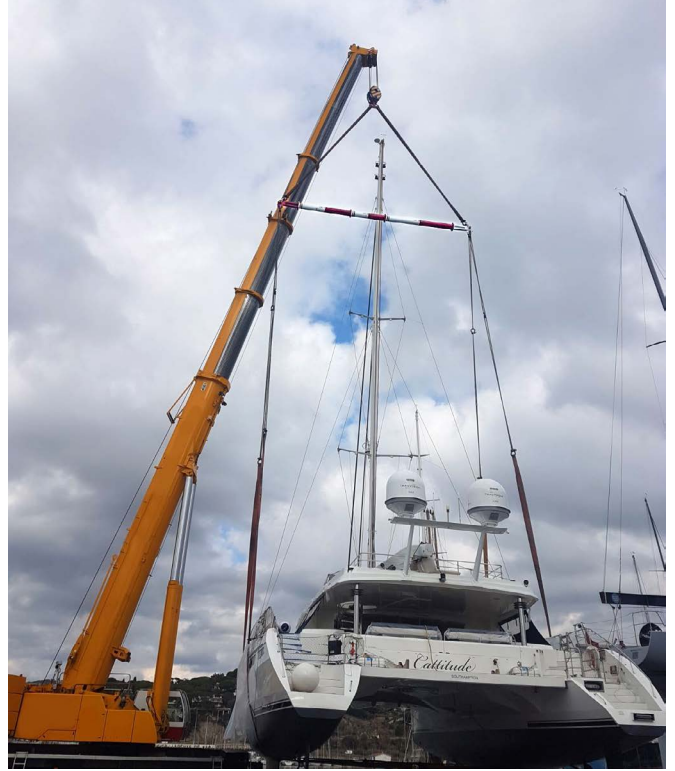
Dimensions at 30°

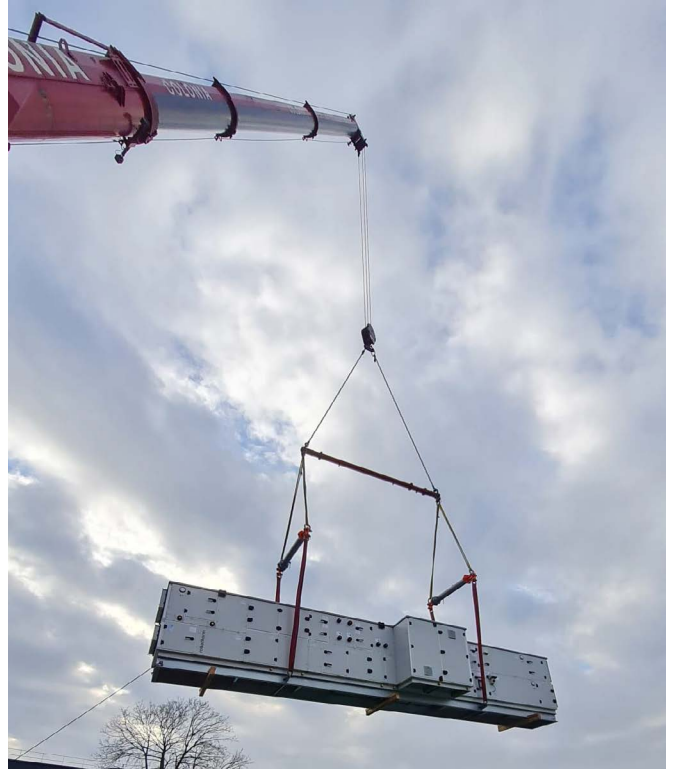
Model / Mts	SB-09	SB-17	SB-24	SB-34	SB-50	SB-70	SB-70/110	SB-110	SB-110/170	SB-170	SB-170/250	SB-250	SB-250/400	SB-400	SB-400/600	SB-600	SB-600/800	SB-800	SB-800/1350	SB-1350
1	9	17	24	34	50	70	110	110	170	170	250	250	400	400	600	600		800		1350
2	9	17	24	34	50	70	110	110	170	170	250	250	400	400	600	600		800		1350
3	9	17	24	34	50	70	110	110	170	170	250	250	400	400	600	600		800		1350
4	7,6	17	24	34	50	70	110	110	170	170	250	250	400	400	600	600		800		1350
5	5,2	17	24	34	50	70	110	110	170	170	250	250	400	400	600	600		800		1350
6		12	24	34	50	70	110	110	170	170	250	250	400	400	600	600		800		1350
7		8	15,5	33	50	70	110	110	170	170	250	250	400	400	600	600		800		1350
8		6	12	22	50	70	110	110	170	170	250	250	400	400	600	600		800		1350
9		4,7	9,5	17	50	70	110	110	170	170	250	250	400	400	600	600		800		1350
10		4,2	7,5	14	46	70	110	110	170	170	250	250	400	400	600	600		800		1350
11			6	11	38	70	93	110	170	170	250	250	400	400	600	600		800		1350
12			5	9	29	70	76	110	155	170	250	250	400	400	600	600		800		1350
13				7,5	22	65	65	110	135	170	240	250	400	400	600	600		800		1350
14				6,5	17	57	57	110	110	170	220	250	400	400	600	600		800		1350
15					15	48	48	100	100	170	190	250	400	400	600	600		800		1350
16					16	41	41	88	88	170	170	250	385	400	600	600		800		1350
17						36	36	76	76	152	152	250	350	400	600	600		800		1350
18						29	29	67	67	134	134	250	310	400	600	600		800		1350
19						24	24	58	58	120	120	250	280	400	600	600		800		1350
20						21	21	51	51	107	107	250	250	400	560	600		800		1350
21								45	45	95	95	230	230	400	500	600		800		1350
22								40	40	84	84	210	210	400	450	590		800		1350
23										75	75	190	190	400	400	535		800		1350
24										68	68	172	172	376	376	484		800		1310
25												155	155	338	338	436		744		1220
26												140	140	314	314	398		655		1140
27														285	285	370		596		1050
28														258	258	337		535		985
29														238	238	310		482		915
30														220	220	285		440		835
31																262		405		760
32																240		370		680
33																		345		620
34																		328		550
35																				510
36																				465

Coming soon!

Coming soon!

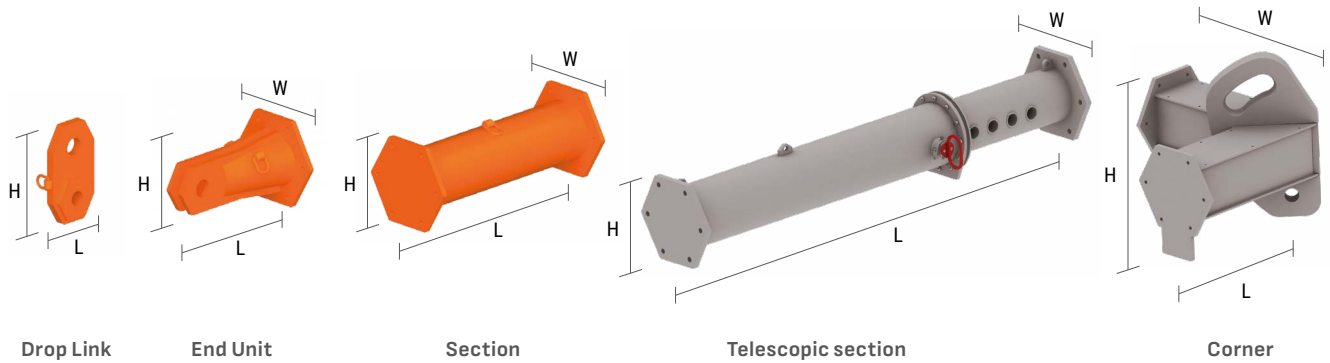
OX SPREADER BEAMS
PORTFOLIO





COMPONENT TABLES

9t - 1350t



OX-SB-09

CODE	TYPE	MODEL	WEIGHT (kg)	NOMINAL LENGHT (mm)	DIMENSIONS L x W x H (mm)
80220009S010	Section	OX-SB-09	4,4	100	100 x 160 x 140
80220009S030	Section	OX-SB-09	6,1	300	300 x 160 x 140
80220009S050	Section	OX-SB-09	7,8	500	500 x 160 x 140
80220009S100	Section	OX-SB-09	12	1000	1000 x 160 x 140
80220009S200	Section	OX-SB-09	20,4	2000	2000 x 160 x 140
80220009S300	Section	OX-SB-09	28,7	3000	3000 x 160 x 140
80220009E	End Unit	OX-SB-09	5,2	250	294 x 160 x 140
80220009D	Drop Link	OX-SB-09	1,4	82	88 x 24 x 161
80220009R1525	Telescopic Section	OX SBT 009 1525	40,5	1500-2500 (x100)	1500 x 220 x 140
-	Bow Shackle safety pin (top)	6,5t - 7/8"	1,8	Variable*	-
-	Bow Shackle safety pin (bottom)	4,75t - 3/4"	1,2	Variable*	-
-	Screws (boxes of 6 units)	OX-SB-09	-	-	DIN 931 M10 x 45 - 10.9

OX-SB-VERSION 2.0

OX-SB-17

CODE	TYPE	MODEL	WEIGHT (kg)	NOMINAL LENGHT (mm)	DIMENSIONS L x W x H (mm)
80220017S025	Section	OX-SB-17	12,8	100	250 x 220 x 190
80220017S050	Section	OX-SB-17	16,4	300	500 x 220 x 190
80220017S100	Section	OX-SB-17	23,2	500	1000 x 220 x 190
80220017S200	Section	OX-SB-17	36,7	1000	1000 x 220 x 190
80220017S300	Section	OX-SB-17	50,1	2000	3000 x 220 x 190
80220017S400	Section	OX-SB-17	63,6	3000	4000 x 220 x 190
80220017E	End Unit	OX-SB-17	10,2	250	310 x 220 x 190
80220017D	Drop Link	OX-SB-17	4,1	112	120 x 36 x 219
80220017R1525	Telescopic Section Short	OX SBT 017 1525	58	1500-2500 (x100)	1500 x 260 x 190
-	Bow Shackle safety pin (top)	12t - 1 1/4"	5	Variable*	-
-	Bow Shackle safety pin (bottom)	8,5t - 1"	2,5	Variable*	-
-	Screws (boxes of 6 units)	OX-SB-17	-	-	EN-14399 M12 x 60 - 10.9

*Variable length according to the chosen brand and model.

OX SPREADER BEAMS
COMPONENT TABLES
 9t – 1350t

OX-SB-24

CODE	TYPE	MODEL	WEIGHT (kg)	NOMINAL LENGTH (mm)	DIMENSIONS L x W x H (mm)
80220024S050	Section	OX-SB-24	25	500	500 x 290 x 252
80220024S100	Section	OX-SB-24	33,3	1000	1000 x 290 x 252
80220024S200	Section	OX-SB-24	50	2000	2000 x 290 x 252
80220024S300	Section	OX-SB-24	66,5	3000	3000 x 290 x 252
80220024S400	Section	OX-SB-24	83,1	4000	4000 x 290 x 252
80220024E	End Unit	OX-SB-24	16,4	250	322 x 290 x 252
80220024D	Drop Link	OX-SB-24	7,3	132	144 x 45 x 260
80220024R1525	Telescopic Section Short	OX SBT 024 1525	85	1500-2500 (x100)	1500 x 290 x 252
80220024R2440	Telescopic Section Long	OX SBT 024 2440	122	2400-4000 (x100)	2400 x 290 x 252
–	Bow Shackle safety pin (top)	17t - 1 1/2"	8,4	Variable*	–
–	Bow Shackle safety pin (bottom)	12t - 1 1/4"	5	Variable*	–
–	Screws (boxes of 6 units)	OX-SB-24	–	–	EN-14399 M16 x 65 - 10.9

OX-SB-34

CODE	TYPE	MODEL	WEIGHT (kg)	NOMINAL LENGTH (mm)	DIMENSIONS L x W x H (mm)
80220034S050	Section	OX-SB-34	25	500	500 x 340 x 295
80220034S100	Section	OX-SB-34	33,3	1000	1000 x 340 x 295
80220034S200	Section	OX-SB-34	50	2000	2000 x 340 x 295
80220034S300	Section	OX-SB-34	66,5	3000	3000 x 340 x 295
80220034S400	Section	OX-SB-34	83,1	4000	4000 x 340 x 295
80220034E	End Unit	OX-SB-34	16,4	500	590 x 340 x 295
80220034D	Drop Link	OX-SB-34	7,3	160	172 x 54 x 313
80220034R1525	Telescopic Section Short	OX SBT 034 1525	116	1500-2500 (x100)	1500 x 405 x 295
80220034R2440	Telescopic Section Long	OX SBT 034 2440	167	2400-4000 (x100)	2400 x 405 x 295
–	Bow Shackle safety pin (top)	25t - 1 3/4"	14,5	Variable*	–
–	Bow Shackle safety pin (bottom)	17t - 1 1/2"	8,4	Variable*	–
–	Screws (boxes of 6 units)	OX-SB-34	–	–	EN-14399 M20 x 70 - 10.9

OX-SB-50

CODE	TYPE	MODEL	WEIGHT (kg)	NOMINAL LENGTH (mm)	DIMENSIONS L x W x H (mm)
80220050S050	Section	OX-SB-50	55,5	500	500 x 400 x 347
80220050S100	Section	OX-SB-50	72	1000	1000 x 400 x 347
80220050S200	Section	OX-SB-50	105,1	2000	2000 x 400 x 347
80220050S300	Section	OX-SB-50	138,1	3000	3000 x 400 x 347
80220050S400	Section	OX-SB-50	171,2	4000	4000 x 400 x 347
80220050S500	Section	OX-SB-50	204,3	5000	5000 x 400 x 347
80220050S600	Section	OX-SB-50	237,3	6000	6000 x 400 x 347
80220050E	End Unit	OX-SB-50	59	500	596 x 400 x 347
80220050D	Drop Link	OX-SB-50	17	185	192 x 66 x 355
80220050R1525	Telescopic Section Short	OX SBT 050 1525	185	1500-2500 (x100)	1500 x 470 x 347
80220050R2440	Telescopic Section Long	OX SBT 050 2440	266	2400-4000 (x100)	2400 x 470 x 347
–	Bow Shackle safety pin (top)	35t - 2"	20	Variable*	–
–	Bow Shackle safety pin (bottom)	25t - 1 3/4"	14,5	Variable*	–
–	Screws (boxes of 6 units)	OX-SB-50	–	–	EN-14399 M20 x 70 - 10.9

*Variable length according to the chosen brand and model.

OX SPREADER BEAMS

COMPONENT TABLES

9t - 1350t

OX-SB-70

CODE	TYPE	MODEL	WEIGHT (kg)	NOMINAL LENGHT (mm)	DIMENSIONS L x W x H (mm)
80220070S050	Section	OX-SB-70	75,1	500	500 x 447 x 390
80220070S100	Section	OX-SB-70	101,2	1000	1000 x 447 x 390
80220070S200	Section	OX-SB-70	153,5	2000	2000 x 447 x 390
80220070S300	Section	OX-SB-70	205,8	3000	3000 x 447 x 390
80220070S400	Section	OX-SB-70	258,1	4000	4000 x 447 x 390
80220070S500	Section	OX-SB-70	310,4	5000	5000 x 447 x 390
80220070S600	Section	OX-SB-70	362,6	6000	6000 x 447 x 390
80220070E	End Unit	OX-SB-70	85,7	500	624 x 447 x 390
80220070D	Drop Link	OX-SB-70	35,8	230	247 x 76 x 448
80220070R1525	Telescopic Section Short	OX SBT 070 1525	256	1500-2500 (x100)	1500 x 530 x 390
80220070R2440	Telescopic Section Long	OX SBT 070 2440	367	2400-4000 (x100)	2400 x 530 x 390
-	Bow Shackle safety pin (top)	55t - 2 1/2"	40	Variable*	-
-	Bow Shackle safety pin (bottom)	35t - 2"	20	Variable*	-
-	Screws (boxes of 6 units)	OX-SB-70	-	-	EN-14399 M20 x 80 - 10.9

OX-SB-70/110

CODE	TYPE	MODEL	WEIGHT (kg)	NOMINAL LENGHT (mm)	DIMENSIONS L x W x H (mm)
80220070S050	Section	OX-SB-70	75,1	500	500 x 447 x 390
80220070S100	Section	OX-SB-70	101,2	1000	1000 x 447 x 390
80220070S200	Section	OX-SB-70	153,5	2000	2000 x 447 x 390
80220070S300	Section	OX-SB-70	205,8	3000	3000 x 447 x 390
80220070S400	Section	OX-SB-70	258,1	4000	4000 x 447 x 390
80220070S500	Section	OX-SB-70	310,4	5000	5000 x 447 x 390
80220070S600	Section	OX-SB-70	362,6	6000	6000 x 447 x 390
80220110D	End Unit	OX-SB-70/110	63,8	192,1	303 x 90 x 541
80220070110E	Drop Link	OX-SB-110	192,1	275	1152 x 447 x 390
80220110R1525	Telescopic Section Short	OX SBT 110 1525	381	1500-2500 (x100)	1500 x 565 x 433
80220110R2440	Telescopic Section Long	OX SBT 110 2440	551	2400-4000 (x100)	2400 x 565 x 433
-	Bow Shackle safety pin (top)	85t - 3"	62	Variable*	-
-	Bow Shackle safety pin (bottom)	55t - 2 1/2"	40	Variable*	-
-	Screws (boxes of 6 units)	OX-SB-70	-	-	EN-14399 M20 x 80 - 10.9

OX-SB-110

CODE	TYPE	MODEL	WEIGHT (kg)	NOMINAL LENGHT (mm)	DIMENSIONS L x W x H (mm)
80220110S050	Section	OX-SB-110	110,4	500	500 x 497 x 433
80220110S100	Section	OX-SB-110	149,1	1000	1000 x 497 x 433
80220110S200	Section	OX-SB-110	226,5	2000	2000 x 497 x 433
80220110S300	Section	OX-SB-110	303,9	3000	3000 x 497 x 433
80220110S400	Section	OX-SB-110	381,3	4000	4000 x 497 x 433
80220110S500	Section	OX-SB-110	458,7	5000	5000 x 497 x 433
80220110S600	Section	OX-SB-110	536,1	6000	6000 x 497 x 433
80220110E	End Unit	OX-SB-110	210,5	1000	1152 x 497 x 433
80220110D	Drop Link	OX-SB-110	63,8	275	303 x 90 x 541
80220110R1525	Telescopic Section Short	OX SBT 110 1525	381	1500-2500 (x100)	1500x565x433
80220110R2440	Telescopic Section Long	OX SBT 110 2440	551	2400-4000 (x100)	2400x565x433
-	Bow Shackle safety pin (top)	85t - 3"	62	Variable*	-
-	Bow Shackle safety pin (bottom)	55t - 2 1/2"	40	Variable*	-
-	Screws (boxes of 6 units)	OX-SB-110	-	-	EN-14399 M20 x 90 - 10.9

*Variable length according to the chosen brand and model.

OX SPREADER BEAMS
COMPONENT TABLES
 9t – 1350t

OX-SB-110/170

CODE	TYPE	MODEL	WEIGHT (kg)	NOMINAL LENGTH (mm)	DIMENSIONS L x W x H (mm)
80220110S050	Section	OX-SB-110	110,4	500	500 x 497 x 433
80220110S100	Section	OX-SB-110	149,1	1000	1000 x 497 x 433
80220110S200	Section	OX-SB-110	226,5	2000	2000 x 497 x 433
80220110S300	Section	OX-SB-110	303,9	3000	3000 x 497 x 433
80220110S400	Section	OX-SB-110	381,3	4000	4000 x 497 x 433
80220110S500	Section	OX-SB-110	458,7	5000	5000 x 497 x 433
80220110S600	Section	OX-SB-110	536,1	6000	6000 x 497 x 433
80220110170E	End Unit	OX-SB-110/170	263	1000	1171 x 497 x 433
80220170D	Drop Link	OX-SB-170	94	310	342 x 115 x 610
–	Bow Shackle safety pin (top)	120t - 3 1/2"	110	Variable*	–
–	Bow Shackle safety pin (bottom)	85t - 3"	62	Variable*	–
–	Screws (boxes of 6 units)	OX-SB-110	–	–	EN-14399 M20 x 90 - 10.9

OX-SB-170

CODE	TYPE	MODEL	WEIGHT (kg)	NOMINAL LENGTH (mm)	DIMENSIONS L x W x H (mm)
80220170S050	Section	OX-SB-170	160,8	500	500 x 617 x 537
80220170S100	Section	OX-SB-170	209,7	1000	1000 x 617 x 537
80220170S200	Section	OX-SB-170	307,4	2000	2000 x 617 x 537
80220170S300	Section	OX-SB-170	405,2	3000	3000 x 617 x 537
80220170S400	Section	OX-SB-170	503	4000	4000 x 617 x 537
80220170S500	Section	OX-SB-170	600,7	5000	5000 x 617 x 537
80220170S600	Section	OX-SB-170	698,5	6000	6000 x 617 x 537
80220170E	End Unit	OX-SB-170	305,8	1000	1171 x 617 x 537
80220170D	Drop Link	OX-SB-170	94	310	342 x 115 x 610
–	Bow Shackle safety pin (top)	120t - 3 1/2"	110	Variable*	–
–	Bow Shackle safety pin (bottom)	85t - 3"	62	Variable*	–
–	Screws (boxes of 6 units)	OX-SB-170	–	–	EN-14399 M20 x 90 - 10.9

OX-SB-170/250

CODE	TYPE	MODEL	WEIGHT (kg)	NOMINAL LENGTH (mm)	DIMENSIONS L x W x H (mm)
80220170S050	Section	OX-SB-170	160,8	500	500 x 617 x 537
80220170S100	Section	OX-SB-170	209,7	1000	1000 x 617 x 537
80220170S200	Section	OX-SB-170	307,4	2000	2000 x 617 x 537
80220170S300	Section	OX-SB-170	405,2	3000	3000 x 617 x 537
80220170S400	Section	OX-SB-170	503	4000	4000 x 617 x 537
80220170S500	Section	OX-SB-170	600,7	5000	5000 x 617 x 537
80220170S600	Section	OX-SB-170	698,5	6000	6000 x 617 x 537
80220170250E	End Unit	OX-SB-170/250	360	1000	1198 x 617 x 537
80220250D	Drop Link	OX-SB-250	135,5	375	395 x 115 x 725
–	Wide body shackle (top)	200t*	183	Variable*	–
–	Wide body shackle (bottom)	125t	84	Variable*	–
–	Screws (boxes of 6 units)	OX-SB-170	–	–	EN-14399 M20 x 90 - 10.9

*Variable length according to the chosen brand and model.

OX SPREADER BEAMS

COMPONENT TABLES

9t – 1350t

OX-SB-250

CODE	TYPE	MODEL	WEIGHT (kg)	NOMINAL LENGTH (mm)	DIMENSIONS L x W x H (mm)
80220250S050	Section	OX-SB-250	276,6	500	500 x 772 x 672
80220250S100	Section	OX-SB-250	353	1000	1000 x 772 x 672
80220250S200	Section	OX-SB-250	505,7	2000	2000 x 772 x 672
80220250S300	Section	OX-SB-250	658,4	3000	3000 x 772 x 672
80220250S400	Section	OX-SB-250	811,2	4000	4000 x 772 x 672
80220250S500	Section	OX-SB-250	964	5000	5000 x 772 x 672
80220250S600	Section	OX-SB-250	1116,7	6000	6000 x 772 x 672
80220250E	End Unit	OX-SB-250	435	1000	1200 x 772 x 672
80220250D	Drop Link	OX-SB-250	135,5	375	395 x 115 x 725
–	Wide body shackle (top)	200t*	183	Variable*	–
–	Wide body shackle (bottom)	125t	84	Variable*	–
–	Screws (boxes of 12 units)	OX-SB-250	–	–	EN-14399 M24 x 100 - 10.9

OX-SB-250/400

CODE	TYPE	MODEL	WEIGHT (kg)	NOMINAL LENGTH (mm)	DIMENSIONS L x W x H (mm)
80220250S050	Section	OX-SB-250	276,6	500	500 x 772 x 672
80220250S100	Section	OX-SB-250	353	1000	1000 x 772 x 672
80220250S200	Section	OX-SB-250	505,7	2000	2000 x 772 x 672
80220250S300	Section	OX-SB-250	658,4	3000	3000 x 772 x 672
80220250S400	Section	OX-SB-250	811,2	4000	4000 x 772 x 672
80220250S500	Section	OX-SB-250	964	5000	5000 x 772 x 672
80220250S600	Section	OX-SB-250	1116,7	6000	6000 x 772 x 672
80220250400E	End Unit	OX-SB-250/400	578	1000	1254 x 772 x 672
80220400D	Drop Link	OX-SB-400	250	453	508 x 140 x 906
–	Wide body shackle (top)	300t*	362	Variable*	–
–	Wide body shackle (bottom)	200t	183	Variable*	–
–	Screws (boxes of 12 units)	OX-SB-250	–	–	EN-14399 M24 x 100 - 10.9

OX-SB-400

CODE	TYPE	MODEL	WEIGHT (kg)	NOMINAL LENGTH (mm)	DIMENSIONS L x W x H (mm)
802204000S50	Section	OX-SB-400	452,9	500	500 x 937 x 814
802204000S100	Section	OX-SB-400	570	1000	1000 x 937 x 814
802204000S200	Section	OX-SB-400	804,5	2000	2000 x 937 x 814
802204000S300	Section	OX-SB-400	1038,8	3000	3000 x 937 x 814
802204000S400	Section	OX-SB-400	1273,2	4000	4000 x 937 x 814
802204000S500	Section	OX-SB-400	1507,6	5000	5000 x 937 x 814
802204000S600	Section	OX-SB-400	1742	6000	6000 x 937 x 814
80220400E	End Unit	OX-SB-400	696	1000	1254 x 937 x 814
80220400D	Drop Link	OX-SB-400	250	453	508 x 140 x 906
–	Wide body shackle (top)	300t*	362	Variable*	–
–	Wide body shackle (bottom)	200t	183	Variable*	–
–	Screws (boxes of 18 units)	OX-SB-400	–	–	EN-14399 M24 x 110 - 10.9

*Variable length according to the chosen brand and model.

OX SPREADER BEAMS
COMPONENT TABLES
 9t – 1350t

OX-SB-400/600

CODE	TYPE	MODEL	WEIGHT (kg)	NOMINAL LENGTH (mm)	DIMENSIONS L x W x H (mm)
802204000S50	Section	OX-SB-400	452,9	500	500 x 937 x 814
802204000S100	Section	OX-SB-400	570	1000	1000 x 937 x 814
802204000S200	Section	OX-SB-400	804,5	2000	2000 x 937 x 814
802204000S300	Section	OX-SB-400	1038,8	3000	3000 x 937 x 814
802204000S400	Section	OX-SB-400	1273,2	4000	4000 x 937 x 814
802204000S500	Section	OX-SB-400	1507,6	5000	5000 x 937 x 814
802204000S600	Section	OX-SB-400	1742	6000	6000 x 937 x 814
80220400600E	End Unit	OX-SB-400/600	820	1000	1285 x 937 x 814
80220600D	Drop Link	OX-SB-400	392	510	571 x 170 x 1020
–	Wide body shackle (top)	400t*	635	Variable*	–
–	Wide body shackle (bottom)	300t	362	Variable*	–
–	Screws (boxes of 18 units)	OX-SB-400	–	–	EN-14399 M24 x 110 - 10.9

OX-SB-600

CODE	TYPE	MODEL	WEIGHT (kg)	NOMINAL LENGTH (mm)	DIMENSIONS L x W x H (mm)
80220600S050	Section	OX-SB-600	512	500	500 x 947 x 825
80220600S100	Section	OX-SB-600	639,1	1000	1000 x 947 x 825
80220600S200	Section	OX-SB-600	893,4	2000	2000 x 947 x 825
80220600S300	Section	OX-SB-600	1147,7	3000	3000 x 947 x 825
80220600S400	Section	OX-SB-600	1401,9	4000	4000 x 947 x 825
80220600S500	Section	OX-SB-600	1656,2	5000	5000 x 947 x 825
80220600S600	Section	OX-SB-600	1910,5	6000	6000 x 947 x 825
80220600E	End Unit	OX-SB-600	1217	1000	1785 x 947 x 825
80220600D	Drop Link	OX-SB-600	392	510	571 x 170 x 1020
–	Wide body shackle (top)	400t*	635	Variable*	–
–	Wide body shackle (bottom)	300t	362	Variable*	–
–	Screws (boxes of 18 units)	OX-SB-600	–	–	EN-14399 M24 x 120 - 10.9

OX-SB-800

CODE	TYPE	MODEL	WEIGHT (kg)	NOMINAL LENGTH (mm)	DIMENSIONS L x W x H (mm)
80220800S050	Section	OX-SB-800	721	500	500 x 1077 x 936
80220800S100	Section	OX-SB-800	891,5	1000	1000 x 1077 x 936
80220800S200	Section	OX-SB-800	1232,3	2000	2000 x 1077 x 936
80220800S300	Section	OX-SB-800	1573	3000	3000 x 1077 x 936
80220800S400	Section	OX-SB-800	1914	4000	4000 x 1077 x 936
80220800S500	Section	OX-SB-800	2254,8	5000	5000 x 1077 x 936
80220800S600	Section	OX-SB-800	2595,6	6000	6000 x 1077 x 936
80220800E	End Unit	OX-SB-800	1593,5	1000	1770 x 1077 x 936
80220800D	Drop Link	OX-SB-800	577	570	637 x 210 x 1140
–	Wide body shackle (top)	500t*	803	Variable*	–
–	Wide body shackle (bottom)	400t	635	Variable*	–
–	Screws (boxes of 24 units)	OX-SB-800	–	–	EN-14399 M24 x 130 - 10.9

*Variable length according to the chosen brand and model.

COMPONENT TABLES

9t – 1350t

OX-SB1350

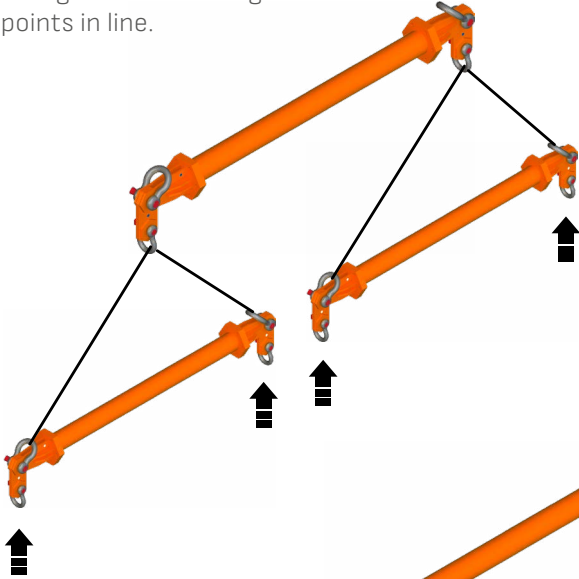
CODE	TYPE	MODEL	WEIGHT (kg)	NOMINAL LENGHT (mm)	DIMENSIONS L x W x H (mm)
80220800S050	Section	OX-SB-1350	974,8	500	500 x 1207 x 1048
80220800S100	Section	OX-SB-1350	1189,3	1000	1000 x 1207 x 1048
80220800S200	Section	OX-SB-1350	1618,4	2000	2000 x 1207 x 1048
80220800S300	Section	OX-SB-1350	2047,4	3000	3000 x 1207 x 1048
80220800S400	Section	OX-SB-1350	2476,5	4000	4000 x 1207 x 1048
80220800S500	Section	OX-SB-1350	2905,5	5000	5000 x 1207 x 1048
80220800S600	Section	OX-SB-1350	3334,6	6000	6000 x 1207 x 1048
80221350E	End Unit	OX-SB-1350	2210	1500	1915 x 1207 x 1048
80220800D	Drop Link	OX-SB-800	1343	740	830 x 270 x 1480
–	Wide body shackle (top)	800t*	1400	Variable*	–
–	Wide body shackle (bottom)	700t	1350	Variable*	–
–	Screws (boxes of 24 units)	OX-SB-1350	–	–	EN-14399 M27 x 140 - 10.9

*Variable length according to the chosen brand and model.

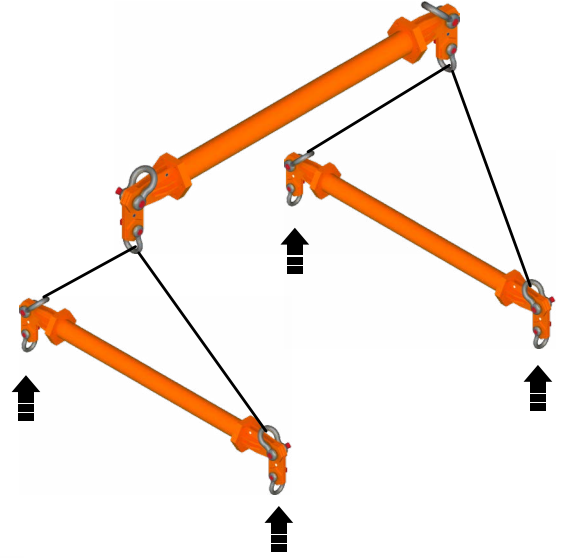


OX SPREADER BEAMS
POSSIBLE
APPLICATIONS

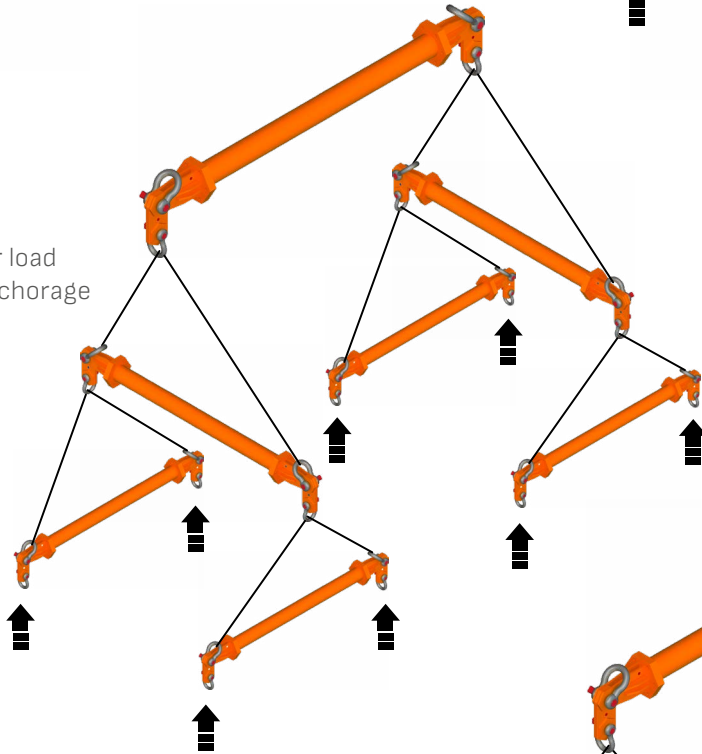
Composition for load lifting with 4 anchorage points in line.



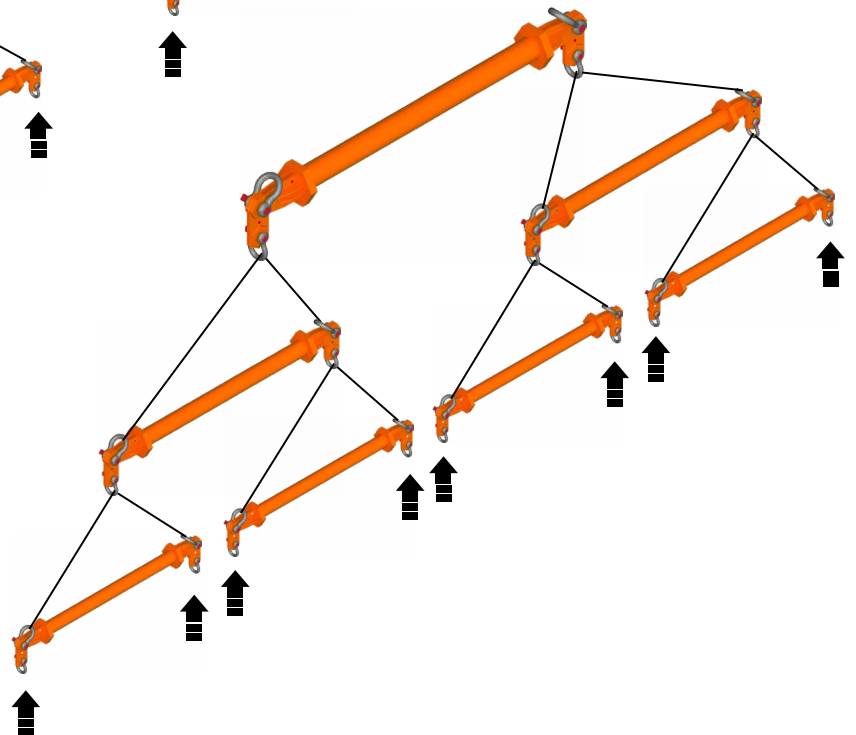
Composition for load lifting with 4 anchorage points at the ends.



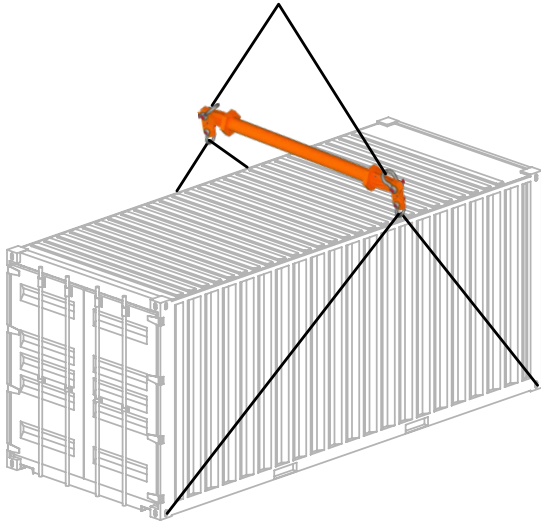
Composition for load lifting with 8 anchorage points.



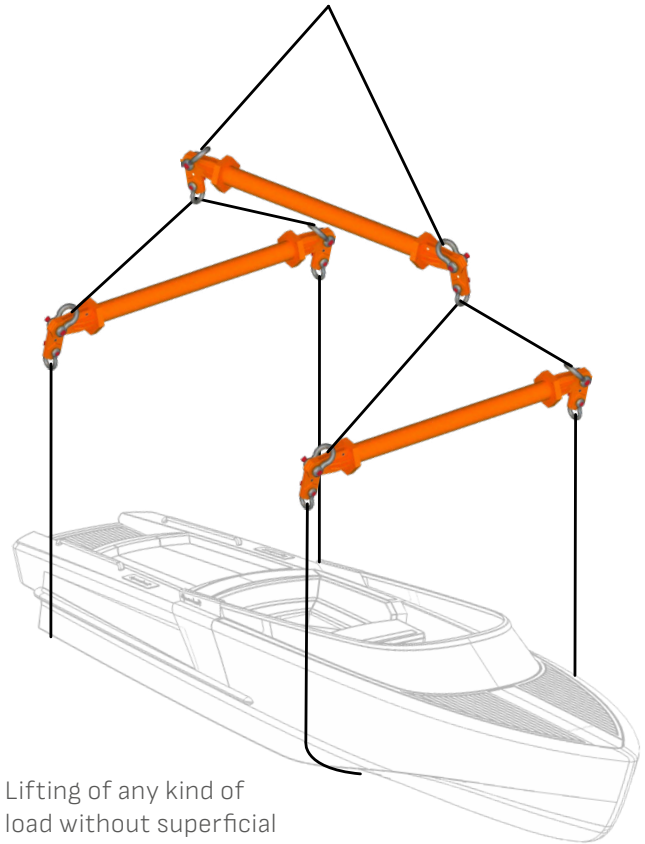
Composition for load lifting with 8 anchorage points in line.



We can advise you on the use of multiple models for your load lifting needs.



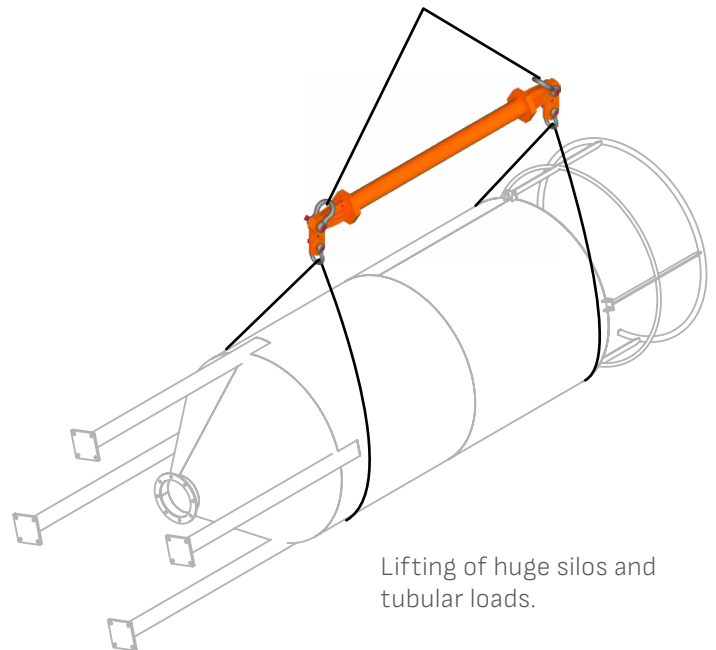
Lifting of containers with 1 only spreader and lateral twistlocks.



Lifting of any kind of load without superficial damages or twittings.



Lifting with vertical twistlocks.

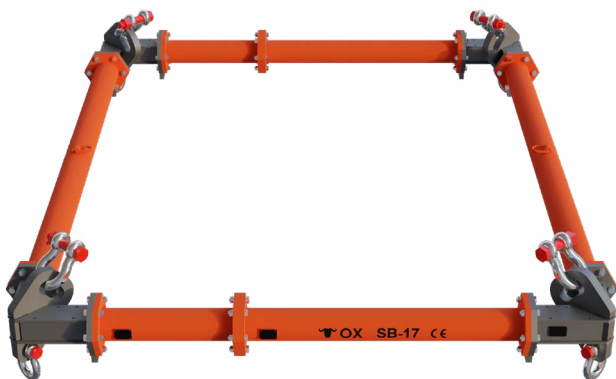


Lifting of huge silos and tubular loads.

OX FRAME SPREADERS CORNER UNIT

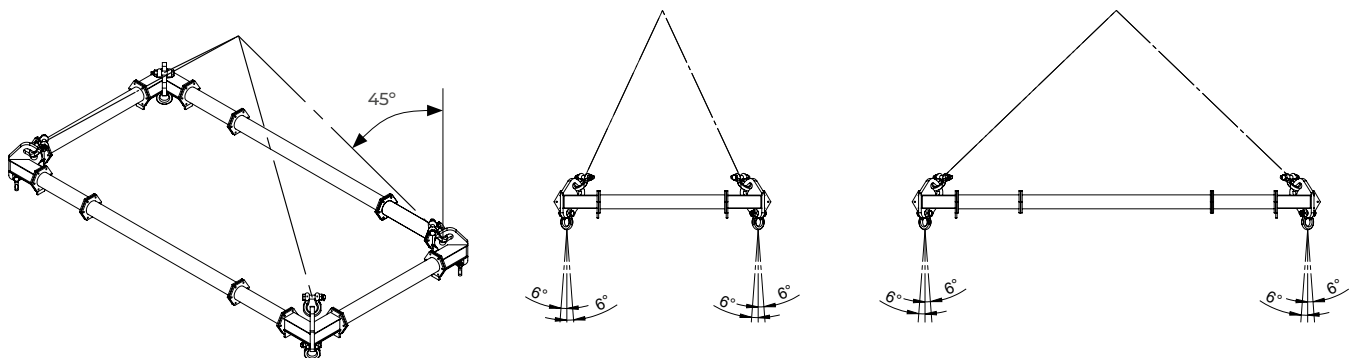


The **CORNER UNIT** accessories allow you to assemble Spreader beams forming a rectangular body, this allows you to place four vertical slings at the bottom. Using then a single level of spreader and accessories, therefore having less loss height.



On top: max. 45°

On bottom: max. ± 6°



Top slings of the spreader beam frame can be at a maximum of 45° from the vertical.

Bottom slings can be max. +/- 6° from the vertical.

OX FRAME SPREADERS
CORNER UNIT
 CAPACITY TABLES



CODE	USEFUL DIMENSIONS A x B (mm)	EXTERNAL DIMENSIONS L x W x H (mm)	WEIGHT (kg)	SCREWS	SHACKLE TOP (t)	SHACKLE BOTTOM (t)
80220009CU	250 x 250 x 250	330 x 330 x 246	17,5	DIN 931 M10 x 45 - 10.9	6,5	4,75

CU-OX-SB09 - 30°

Span [m]	30° SWL [Tons]									
	0,5	1	1,5	2	2,5	3	3,5	4	4,5	5
5										12
4,5									12	12
4								12	12	12
3,5							12	12	12	12
3						12	12	12	12	12
2,5				12	12	12	12	12	12	12
2			12	12	12	12	12	12	10	10
1,5		12	12	12	12	12	12	10	8	8
1		12	12	12	10	8	8	8	7	7
0,5	12	12	12	9	9	7	7	7	6	6
	0,5	1	1,5	2	2,5	3	3,5	4	4,5	5

Span [m]

CU-OX-SB09 - 45°

Span [m]	45° SWL [Tons]									
	0,5	1	1,5	2	2,5	3	3,5	4	4,5	5
5										10
4,5									10	10
4								10	10	10
3,5							10	10	10	10
3						10	10	10	10	10
2,5				10	10	10	10	10	10	10
2			10	10	10	10	10	10	8	8
1,5		10	10	10	10	10	10	8	6	6
1		10	10	10	6	6	6	6	5	5
0,5	10	10	10	6	6	5	5	5	4	4
	0,5	1	1,5	2	2,5	3	3,5	4	4,5	5

Span [m]

OX FRAME SPREADERS CORNER UNIT CAPACITY TABLES



CODE	USEFUL DIMENSIONS A x B (mm)	EXTERNAL DIMENSIONS L x W x H (mm)	WEIGHT (kg)	SCREWS	SHACKLE TOP (t)	SHACKLE BOTTOM (t)
80220017CU	250 x 250	360 x 360 x 318	35,5	M12 x 60 -10.9 EN-14399-4	12	8,5

CU-OX-SB017 - 30°

Span [m]	30° SWL [Tons]																			
	0,5	1	1,5	2	2,5	3	3,5	4	4,5	5	5,5	6	6,5	7	7,5	8	8,5	9	9,5	10
10																				12
9,5																			12	12
9																	14	12	12	
8,5																16	14	12	11	
8															18	16	14	12	11	
7,5														21	18	16	14	12	11	
7													24	21	16	14	14	11	10	
6,5												24	24	20	16	14	12	11	10	
6												24	24	22	20	16	14	12	11	10
5,5											24	24	22	22	20	14	14	12	11	10
5									24	24	22	22	20	18	14	14	12	10	9	
4,5							24	24	22	22	20	18	18	14	12	10	10	9		
4						24	24	22	22	20	18	18	16	12	12	10	10	9		
3,5					24	24	22	22	20	18	18	16	14	12	12	10	9	9		
3					24	24	22	21	20	18	17	15	13	12	12	10	9	9		
2,5				24	24	22	22	21	20	19	17	16	15	13	12	12	11	9	9	
2			24	24	24	22	21	20	19	18	16	15	15	13	12	11	11	9	9	
1,5		24	24	24	24	22	20	19	18	17	15	15	14	13	12	11	11	9	9	
1	24	24	24	24	24	22	19	18	17	16	15	14	13	13	12	11	11	9	9	
0,5	24	24	24	24	24	24	22	18	18	16	16	14	14	13	13	12	11	11	9	9

Span [m]

CU-OX-SB017 - 45°

Span [m]	45° SWL [Tons]																			
	0,5	1	1,5	2	2,5	3	3,5	4	4,5	5	5,5	6	6,5	7	7,5	8	8,5	9	9,5	10
10																				7
9,5																			7	7
9																	8	7	7	
8,5																9	8	7	7	
8															10	9	8	7	7	
7,5														12	10	9	8	7	7	
7													14	12	10	9	8	7	7	
6,5												16	14	12	10	9	8	7	7	
6											18	16	14	12	10	9	8	7	7	
5,5										18	17	16	14	11	10	9	8	7	7	
5									18	17	16	15	13	11	10	9	8	7	6	
4,5							18	18	16	15	14	12	11	9	8	8	7	6	6	
4						18	18	16	15	14	12	11	10	9	8	8	6	6	6	
3,5					18	18	16	15	14	12	12	10	10	9	8	8	6	6	6	
3				18	18	16	15	14	12	12	10	10	10	9	8	7	6	6	6	
2,5			18	18	16	15	14	12	12	10	10	10	10	9	8	7	6	6	6	
2		18	18	16	14	12	12	10	10	10	10	10	9	8	7	7	6	6	6	
1,5	18	18	18	16	14	12	12	10	10	10	10	9	9	8	7	7	6	6	6	
1	18	18	18	18	16	14	12	12	10	10	10	9	9	8	8	7	7	6	6	
0,5	18	18	18	18	18	16	14	12	12	10	10	9	9	8	8	8	7	7	6	6

Span [m]

OX FRAME SPREADERS
CORNER UNIT
 CAPACITY TABLES



CODE	USEFUL DIMENSIONS A x B (mm)	EXTERNAL DIMENSIONS L x W x H (mm)	WEIGHT (kg)	SCREWS	SHACKLE TOP (t)	SHACKLE BOTTOM (t)
80220024CU	500 x 500	645 x 645 x 415	74,5	M16 x 65 -10.9 EN-14399-4	17	12

CU-OX-SB024 - 30°

		30° SWL [Tons]												
Span [m]	12													15
	11											18	15	
	10										22	17	14	
	9									26	21	16	14	
	8								28	25	20	15	13	
	7							28	25	22	18	15	13	
	6						28	25	22	21	17	14	12	
	5					35	25	22	21	19	15	13	12	
	4				35	28	22	21	19	17	14	12	11	
	3			35	35	28	21	19	17	15	13	12	11	
	2		35	35	35	28	19	17	15	14	13	12	10	
	1	35	35	35	28	26	17	15	14	13	12	10	10	
	1	2	3	4	5	6	7	8	9	10	11	12		

Span [m]

CU-OX-SB024 - 45°

		45° SWL [Tons]												
Span [m]	12													8
	11											10	8	
	10										12	10	8	
	9									16	12	9	7	
	8								18	16	11	8	7	
	7							18	16	14	10	8	7	
	6						18	16	14	14	10	8	7	
	5					23	16	14	14	12	10	8	7	
	4				26	18	14	14	12	12	10	8	7	
	3			26	26	18	14	12	12	10	9	8	7	
	2		26	26	23	18	12	12	10	9	8	7	6	
	1	26	26	26	18	16	12	10	9	8	7	6	6	
	1	2	3	4	5	6	7	8	9	10	11	12		

Span [m]

OX FRAME SPREADERS
CORNER UNIT
 CAPACITY TABLES



CODE	USEFUL DIMENSIONS A x B (mm)	EXTERNAL DIMENSIONS L x W x H (mm)	WEIGHT (kg)	SCREWS	SHACKLE TOP (t)	SHACKLE BOTTOM (t)
80220034CU	500 x 500	670 x 670 x 508	110	M20 x 70 -10.9 EN-14399-4	25	17

CU-OX-SB034 - 30°

		30° SWL [Tons]																										
Span [m]	14																	20										
	13																22	20										
	12															26	21	19										
	11															30	24	20	19									
	10															30	28	22	19	18								
	9															30	28	27	21	18	17							
	8															30	28	27	25	19	17	16						
	7															40	28	27	25	23	17	16	15					
	6															50	38	27	25	23	21	17	16	15				
	5															50	50	34	25	23	21	19	16	15	14			
	4															50	50	42	31	23	21	19	18	15	15	14		
	3															50	50	50	42	28	21	19	18	17	15	14	14	
	2															50	50	50	50	40	26	19	18	17	16	14	14	14
	1															50	50	50	50	42	37	24	18	17	16	15	14	14
		1	2	3	4	5	6	7	8	9	10	11	12	13	14													

Span [m]

CU-OX-SB034 - 45°

		45° SWL [Tons]																																							
Span [m]	14																												10												
	13																												12	10											
	12																												14	12	10										
	11																												18	14	12	10									
	10																												20	18	14	11	10								
	9																												20	18	17	13	11	10							
	8																												20	18	17	16	13	11	9						
	7																												26	20	17	16	15	12	10	9					
	6																												32	24	17	16	15	14	12	10	9				
	5																												40	32	23	16	15	14	12	12	10	9			
	4																												40	40	28	22	15	14	12	12	11	10	8		
	3																												40	40	37	28	19	14	12	12	11	10	9	8	
	2																												40	40	40	32	26	18	12	12	11	10	9	8	8
	1																												40	40	40	40	28	25	17	12	11	10	9	8	8
		1	2	3	4	5	6	7	8	9	10	11	12	13	14																										

Span [m]

OX FRAME SPREADERS
CORNER UNIT
 CAPACITY TABLES



CODE	USEFUL DIMENSIONS A x B (mm)	EXTERNAL DIMENSIONS L x W x H (mm)	WEIGHT (kg)	SCREWS	SHACKLE TOP (t)	SHACKLE BOTTOM (t)
80220070CU	500 x 500	724x724x730	260	M20 x 80 -10.9 EN-14399-4	55	35

CU-OX-SB070 - 30°

Span [m]	30° SWL [Tons]																			20													
	1	2	3	4	5	6	7	8	9	10	11	12	13	14	15	16	17	18	19														
20																				64													
19																			70	62													
18																		78	68	60													
17																	82	76	66	58													
16																86	80	74	64	56													
15															86	82	78	72	62	54													
14														86	82	78	74	70	60	52													
13														86	82	78	74	70	68	58	50												
12														86	82	78	74	70	68	66	56	48											
11														96	82	78	74	70	68	66	64	56	46										
10														100	96	78	74	70	68	66	64	60	54	45									
9														110	100	96	74	70	68	66	64	60	56	52	44								
8														110	110	96	90	70	68	66	64	60	56	54	48	42							
7														110	110	110	96	86	68	66	64	60	56	54	48	40							
6														110	110	110	96	82	82	66	64	60	56	54	48	41	38						
5														110	110	110	100	96	82	78	64	60	56	54	48	48	41	38	34				
4														110	110	110	100	96	96	82	74	60	56	54	48	48	41	38	34	31			
3														110	110	110	110	96	96	82	70	56	54	48	48	41	38	34	31	29			
2														110	110	110	110	96	96	94	82	68	58	48	48	41	38	34	31	29	26		
1														110	110	110	110	110	96	96	96	90	76	58	48	45	41	38	34	31	29	26	26

Span [m]

CU-OX-SB070 - 45°

Span [m]	45° SWL [Tons]																			20																																		
	1	2	3	4	5	6	7	8	9	10	11	12	13	14	15	16	17	18	19																																			
20																																		34																				
19																																		38	34																			
18																																		42	38	34																		
17																																			44	42	37	33																
16																																			46	44	41	36	33															
15																																			46	44	42	40	35	32														
14																																			46	44	42	42	39	34	32													
13																																			46	44	42	42	40	38	33	31												
12																																			46	44	44	42	40	38	36	32	30											
11																																			52	44	44	42	40	38	36	34	31	29										
10																																			52	52	44	42	40	38	36	34	32	30	27									
9																																			60	52	52	42	40	38	36	34	32	30	29	25								
8																																			74	60	52	48	40	38	36	34	32	31	30	27	23							
7																																			76	74	60	52	44	38	36	34	32	31	30	28	25	21						
6																																			76	76	74	52	44	42	36	34	32	31	30	28	26	23	20					
5																																			76	76	76	64	52	44	40	34	32	32	30	28	26	24	21	19				
4																																			76	76	76	76	64	52	44	38	32	32	30	28	26	24	22	20	18			
3																																			76	76	76	76	76	64	52	44	36	32	30	28	26	24	22	20	18	17		
2																																			76	76	76	76	76	72	64	52	44	34	30	28	26	24	22	20	18	17	16	
1																																			76	76	76	76	76	74	72	64	52	44	34	28	26	24	22	20	18	17	16	16

Span [m]

OX SPREADER BEAMS CONE ADAPTERS

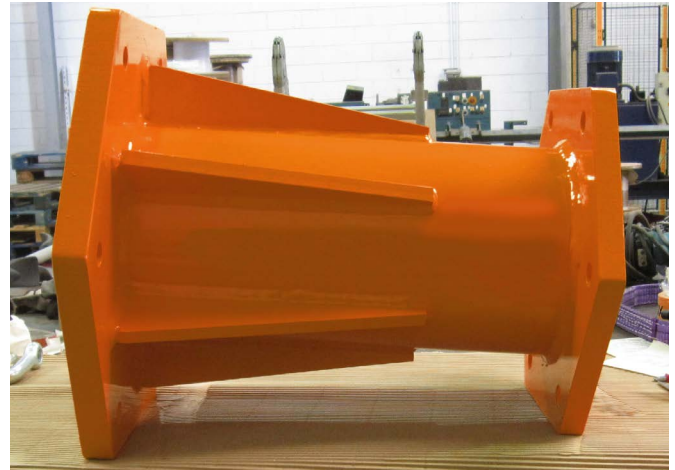


**Do you have to lift a very long load but not so heavy?
The cone adapters are the solution**

The cone adapters are placed between the end unit of a certain load and the intermediate sections of upper models. In this way, it is possible use the spreader beam with more length without having to increase the model of the end unit, Drop Link and shackles.

Benefits:

- Reduction of end units and Drop Links in size and cost
- Reduction of upper and lower shackles in size and cost.

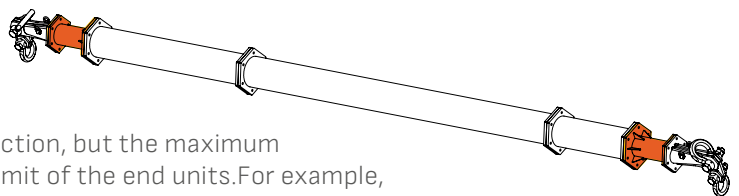


CONE ADAPTERS

CODE	Section	END-UNIT	CODE	Section	END-UNIT	CODE	Section	END-UNIT	CODE	Section	END-UNIT
8022034017CA	34	17	8022170034CA	170	34	8022400070CA	400	70	8022800170CA	800	170
8022050017CA	50	17	8022170050CA	170	50	8022400110CA	"	110	8022800250CA	"	250
8022050024CA	50	24	8022170070CA	170	70	8022400170CA	"	170	8022800400CA	"	400
8022070024CA	70	24	8022170110CA	170	110	8022400250CA	"	250	8022800600CA	"	600
8022070034CA	70	34	8022250050CA	250	50	8022600110CA	600	110	80221350250CA	1350	250
8022070050CA	70	50	8022250070CA	250	70	8022600170CA	"	170	80221350400CA	"	400
8022110024CA	110	24	8022250110CA	250	110	8022600250CA	"	250	80221350600CA	"	600
8022110034CA	110	34	8022250170CA	250	170	8022600400CA	"	400	80221350800CA	"	800
8022110050CA	110	50									
8022110070CA	110	70									

CAPACITY WITH THE CONE ADAPTER

The maximum length depends on the model of the section, but the maximum capacity of the assembly becomes the working load limit of the end units. For example, in the case of the 110/50 cone adapters the capacity table will be:



OX-SB110

SPAN (m)	2-10	11	12	13	14	15	16	17	18	19	20	21	22
45° WLL (t)	110	105	91	78	67	58	51	44	39	34	30	26	23
30° WLL (t)	110	110	110	110	110	110	88	76	67	58	51	45	40
20° WLL (t)	110	110	110	110	110	110	110	110	105	92	82	70	63

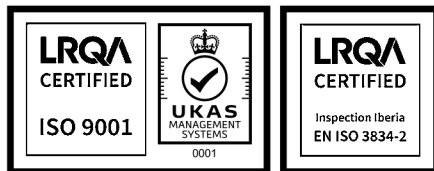
50t

OX & RUD LIFTING SOLUTIONS, S.L.

OX, as a brand of the CFB group, was created in 1993, and in 2024 we joined a huge company, RUD Ketten Rieger & Dietz GmbH u. Co. KG., with the mission of offering and bringing to all countries the best solutions for the transport and lifting of loads in a controlled and safe way in any industrial, naval, railway, wind, oil & gas, offshore, automotive, aeronautical and small industries. Now, more than ever, closer to the customer, with distributors and branches on all five continents.

At OX & RUD, engineering, experience and advice are the basis of our quality.

OX & RUD, now bigger, stronger, better.



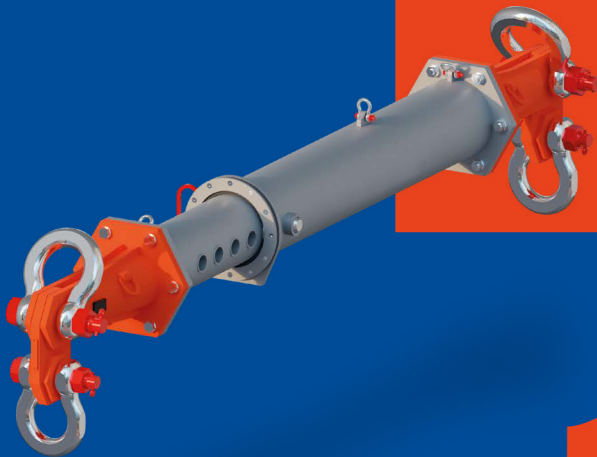
ISO & DNV CERTIFICATE

We have managed to manufacture and distribute machinery that meets the highest standards.

For this, it is an essential requirement to pass all quality controls, which is why we have the following certifications:

- ISO 9001:2015
- EN ISO 3834-2:2006 (Welding)
- DNV GL-ST-0378 (Standard Spreaders up to 1350t)
- DNV GL-ST-0377 ((Standard Spreaders up to 1350t)

OX & RUD is Lloyd Register Quality Assurance certified, in order to comply with all regulations, standards and norms of the European Union



“Our priority is to provide effective, profitable, and safe solutions to ensure long-term business relationships through customer satisfaction.”

Emilio Blasco
Founder

**YOUR TRUSTED
PARTNER FOR
HEAVY LIFTING
SOLUTIONS**


LIFTING SOLUTIONS

bedsab@bedsab.se
08 - 714 54 30
031- 761 60 60
www.bedsab.se

BEDSAB